

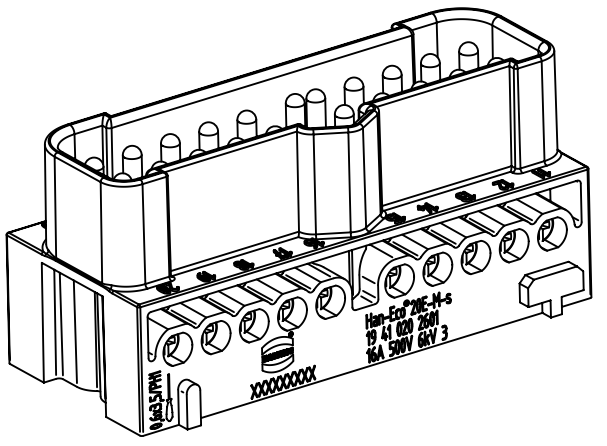
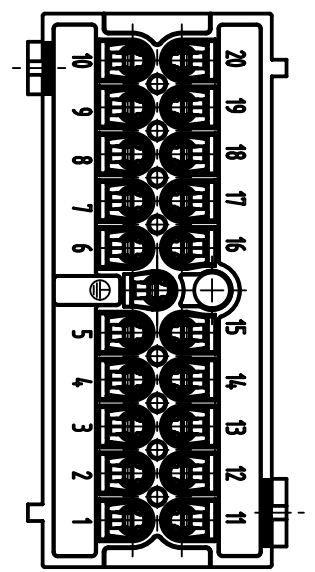
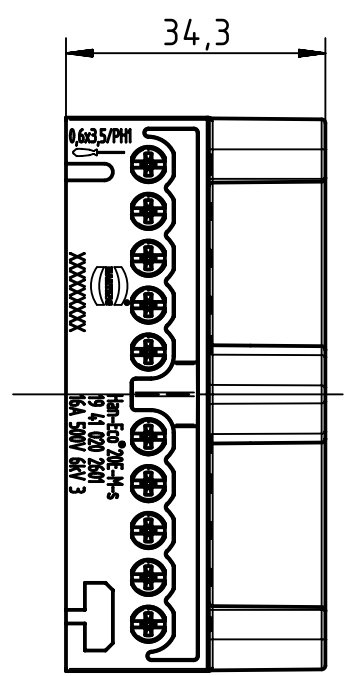
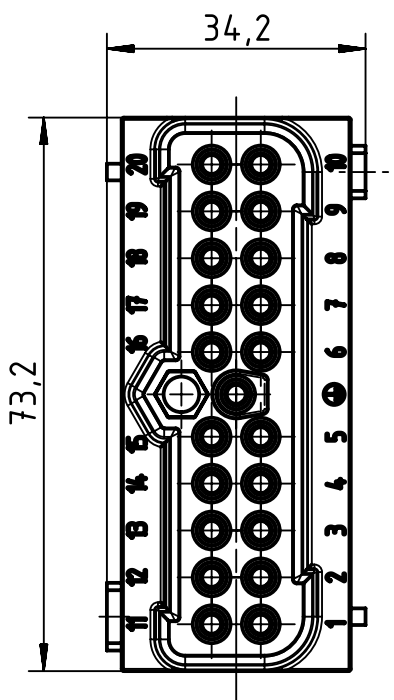
1 2 3 4 5 6

A

B

C

D



	All Dimensions in mm Original Size DIN A4	Scale 1:1		Free size tol.		Ref.	
						Sub.	
	All rights reserved Department EL PD - DE	Created by MOELLERLI	Inspected by SUNDERMEIER	Standardisation TIEMANNA	Date 2013-10-24	State Final Release	
		Title Han Eco 20E-M-s					Doc-Key / ECM-Nr. 100219307/UGD/002/B 500000067209
HARTING Electric GmbH & Co. KG D-32339 Espelkamp		Type TB	Number 19 41 020 2601			Rev. B	Page 1/1

# Mouser Electronics

Authorized Distributor

Click to View Pricing, Inventory, Delivery & Lifecycle Information:

[HARTING:](#)

[19410202601](#)