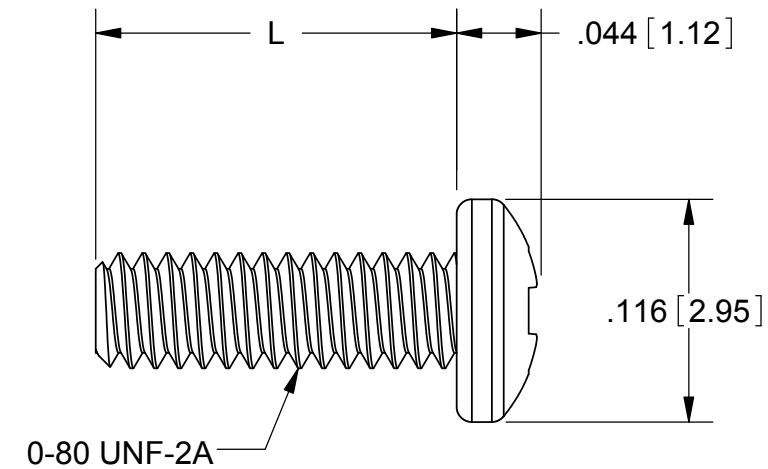
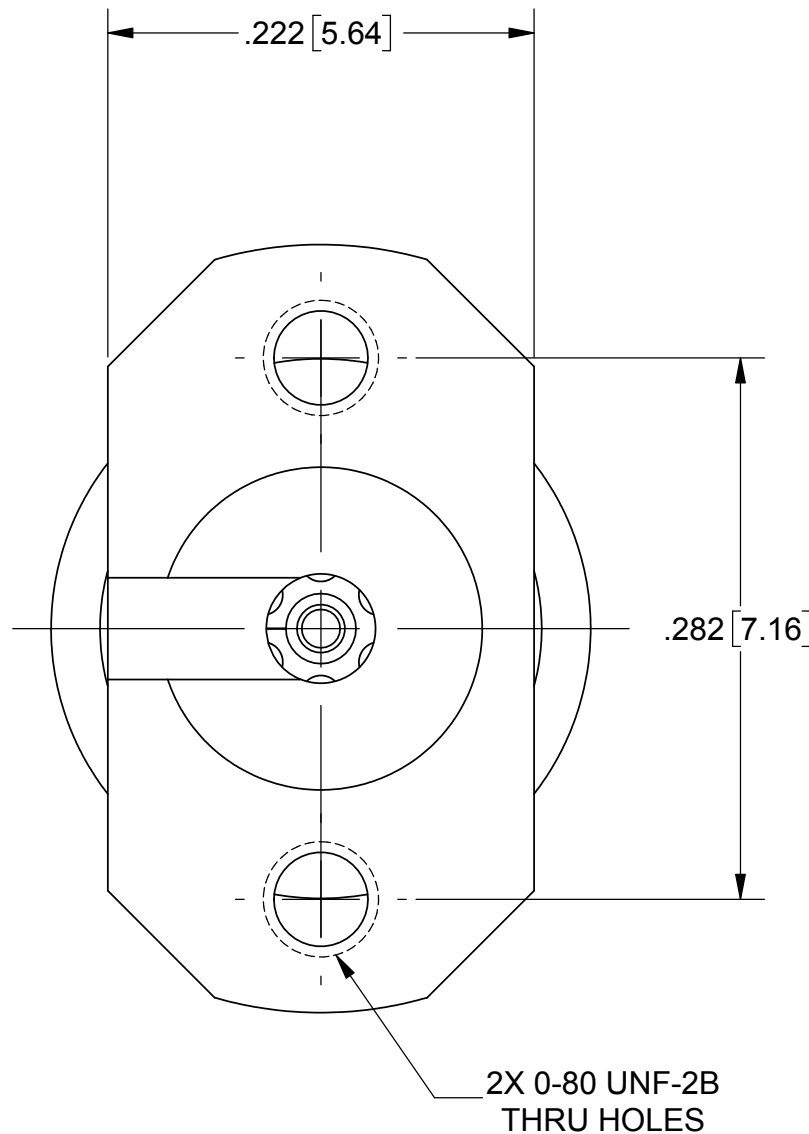
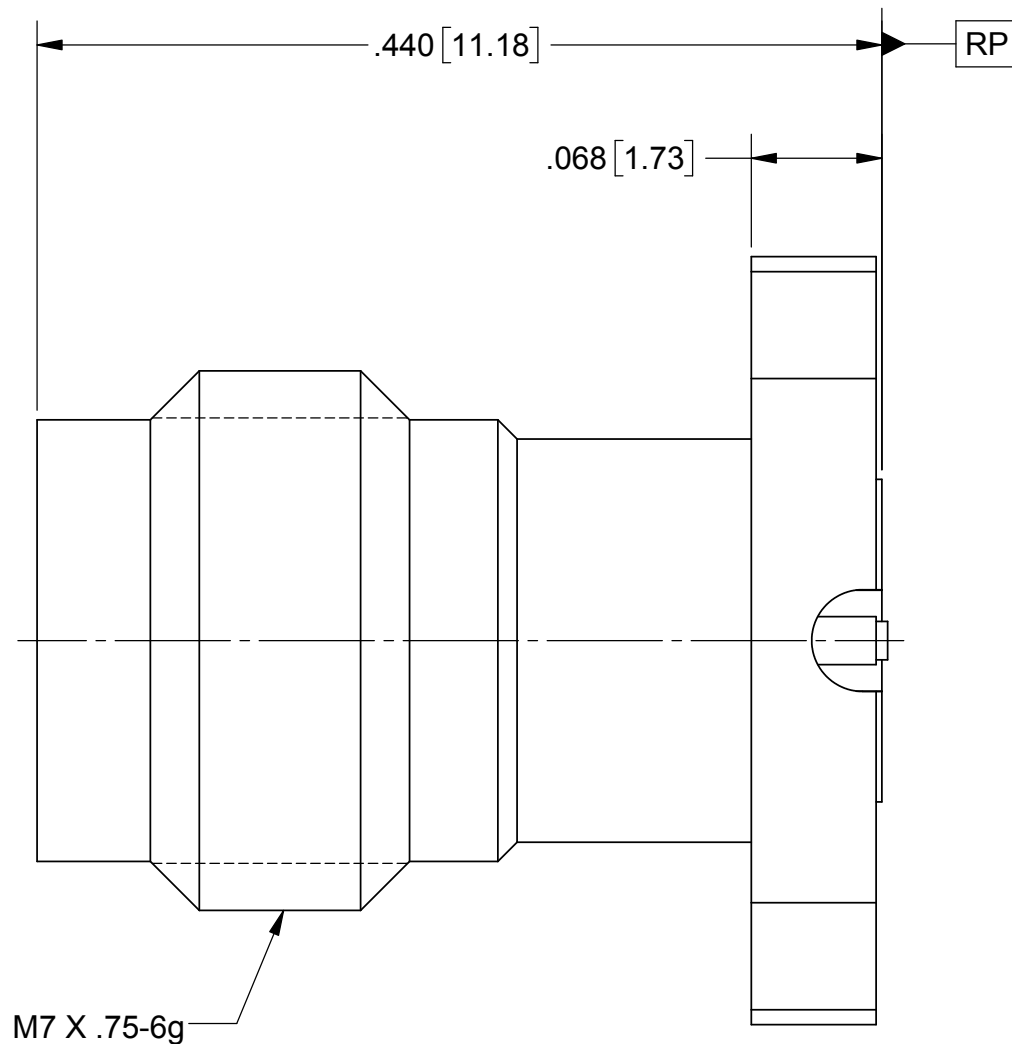


# PRODUCT DATA DRAWING

| REVISION HISTORY |             |       |          |
|------------------|-------------|-------|----------|
| REV              | DESCRIPTION | DATE  | APPROVED |
| 01               | PRELIMINARY | 12/16 | DAL      |
|                  |             |       |          |



| SCREW OPTIONS | L    |
|---------------|------|
| FOR -1S       | .188 |
| FOR -2S       | .250 |
| FOR -3S       | .438 |

M7 X .75-6g

**MATERIAL:**

BODIES & SCREWS: STAINLESS STEEL  
 CONTACT: BERYLLIUM COPPER  
 INSULATOR: ULTEM  
**FINISH:**  
 BODIES & SCREWS: PASSIVATED  
 CONTACT: GOLD OVER NICKEL

| SV P/N          | DESCRIPTION           | PCB THICKNESS |
|-----------------|-----------------------|---------------|
| SF1621-60026-1S | INCL. TWO .188 SCREWS | .005 TO .123  |
| SF1621-60026-2S | INCL. TWO .250 SCREWS | .034 TO .185  |
| SF1621-60026-3S | INCL. TWO .438 SCREWS | .222 TO .373  |
| SF1621-60026    | NO SCREWS             | .005 TO .373  |

|   |  |   |  |
|---|--|---|--|
| MATERIAL: SEE NOTES   | DIMENSIONS ARE IN INCHES TOLERANCES:<br>FRACTIONAL: ±1/64 ANGULAR: X° ±1'0"<br>X°X' ±15' | UNLESS OTHERWISE SPECIFIED<br>1) ALL DIMENSIONS ARE IN INCHES (MILLIMETERS)<br>2) ALL DIMENSIONS ARE AFTER PLATING.<br>3) BREAK CORNERS & EDGES .005 R. MAX.<br>4) CHAM. 1ST & LAST THREADS.<br>5) SURFACE ROUGHNESS 63-MIL-STD-10.<br>6) DIA. 'S ON COMMON CENTERS TO BE CONCENTRIC WITHIN T.I.R.<br>7) REMOVE ALL BURRS | <br>2400 Centrepark West Drive, Suite 100<br>West Palm Beach, FL 33409<br>TITLE: 2.4mm JACK 2 HOLE FLANGE WITH MOUNTING SCREWS |
| FINISH: SEE NOTES   | DECIMAL: X ±.030<br>.XX ±.010<br>.XXX ±.005  | INTERPRET DIMENSIONS AND TOLERANCES PER ASME Y14.5M - 1994  |  |
| SURFACE AREA: N/A   | THIRD ANGLE PROJECTION   | DRAWN: BNK 12/08/16   | SIZE: B CAGE CODE: 95077 DWG. NO. SF1621-60026-XS  |
| PROPRIETARY<br>THE INFORMATION CONTAINED IN THIS DRAWING IS THE SOLE PROPERTY OF SV MICROWAVE, INC. ANY REPRODUCTION IN PART OR AS A WHOLE WITHOUT THE WRITTEN PERMISSION OF SV MICROWAVE, INC IS PROHIBITED. |  | CHECKED: DAL 12/08/16   | SCALE: 10:1  |
|   |  | APPROVED: DAL 12/08/16  | SHEET 1 OF 1   |

# Mouser Electronics

Authorized Distributor

Click to View Pricing, Inventory, Delivery & Lifecycle Information:

[Amphenol:](#)

[SF1621-60026-2S](#)