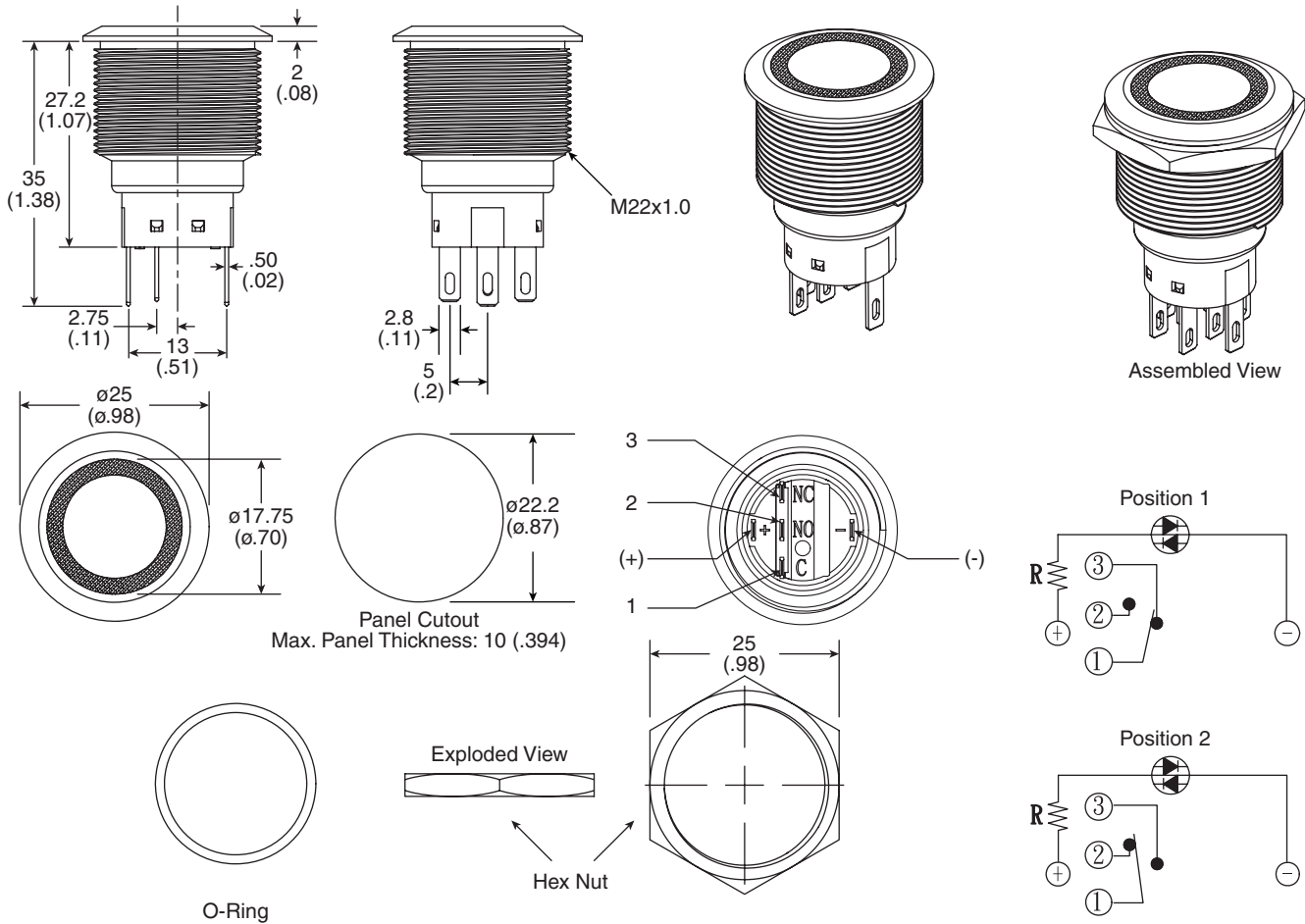


Dimensions: mm (in.)



Mechanical Specifications:

- Operating Temperature: -20°C to +55°C
- Travel: About 3.2mm

Mouser Stock No.	Circuit Type	LED Color	LED Voltage
108-22105-EVX	OFF-(ON)	Yellow	6V
108-22123-EVX	ON-OFF	Red	12V

Electrical Specifications:

- Rating: 5A/250VAC. resistive load 3A/250VAC.
- Life: 50,000 Make-and Break Cycles at Full Load
- Insulation Resistance: 1,000MΩ Min. at 500VDC.
- Dielectric Strength: 2,000V RMS @sea level.
- Contact Resistance: 50mΩ Max. @1A 12VDC (initial value)

Material:

- Body Type & Color: Aluminum alloy, Black Anodized

Note:

- RoHS Compliant by Exemption

Illuminated Pushbutton Switches
 108-22105-EVX, 108-22123-EVX



Mouser Electronics

Authorized Distributor

Click to View Pricing, Inventory, Delivery & Lifecycle Information:

[Mountain Switch:](#)

[108-22123-EVX](#) [108-22105-EVX](#)