

**FEATURES**

- ※High reliable metal contacts
- ※Reflow solderable
- ※Cap options

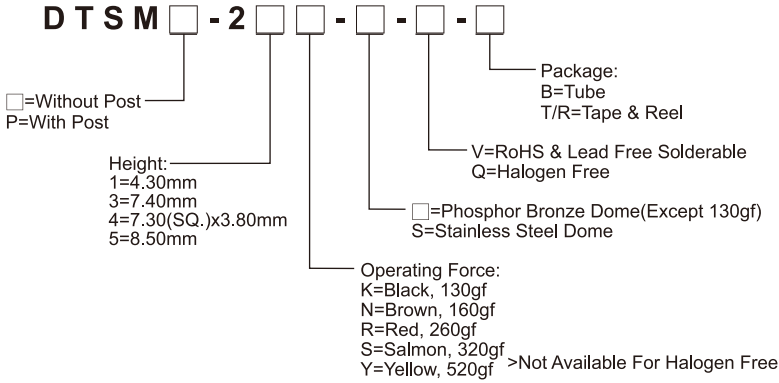
**APPLICATION**

- ※Audio, OA equipment
- ※Instrumentation
- ※Industrial

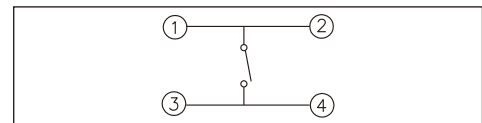
**SPECIFICATION**

Contact Rating	50mA, 12V DC
Contact Resistance	100mΩ max.
Insulation Resistance	100MΩ min. 500V DC
Dielectric Strength	250V AC/1 minute
Operating Force	130±50gf, Black(K) 160±50gf, Brown(N) 260±50gf, Red(R) 320±80gf, Salmon(S) 520±130gf, Yellow(Y)
Travel	0.35mm
Operating Life	Phosphor Bronze Dome 100,000 cycles for 520/320/260gf 200,000 cycles for 160gf
	Stainless Steel Dome 300,000 cycles for 520/320gf 500,000 cycles for 260gf 1,000,000 cycles for 160gf 10,000,000 cycles for 130gf
Operating Temp.	-25°C ~ +70°C
Storage Temp.	-30°C ~ +80°C

**HOW TO ORDER**



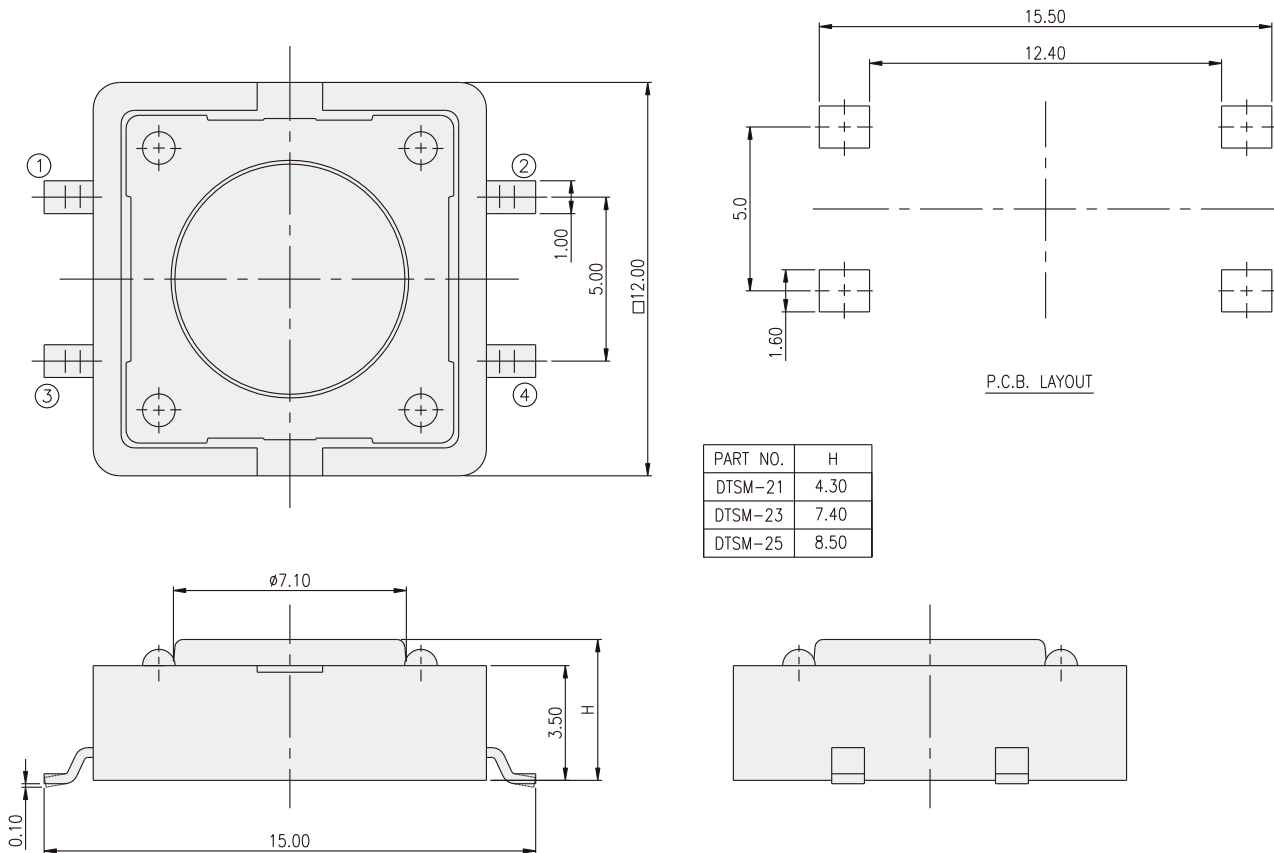
**CIRCUIT**



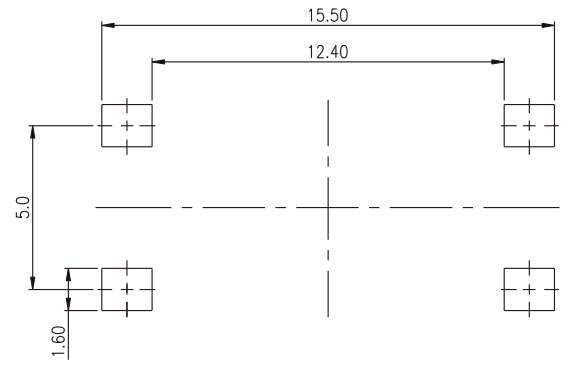
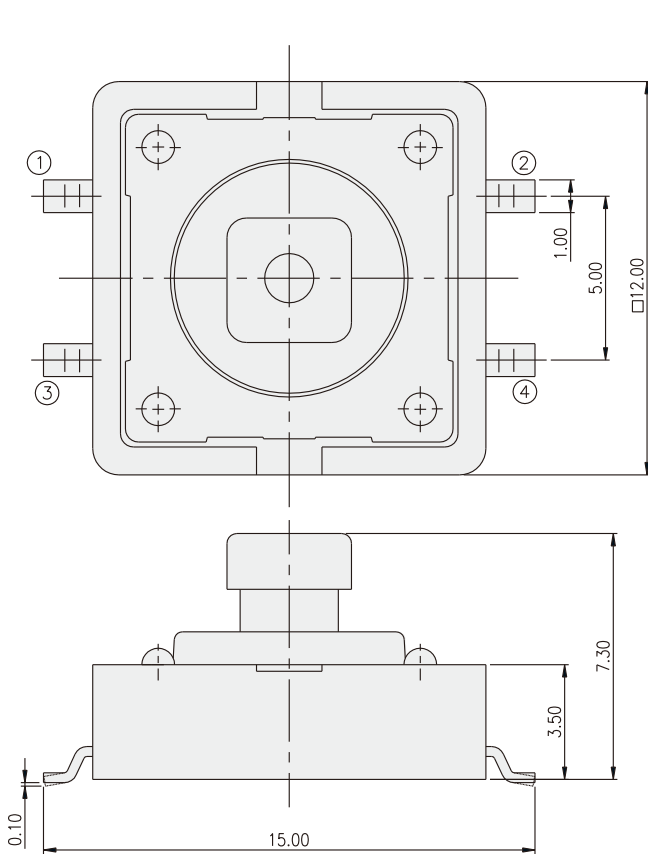
**PACKAGE**

- <Tube>  
DTSM-2: 40 pcs
- <Tape & Reel>  
DTSM-21: 700 pcs  
DTSM(P)-23, 24: 500 pcs  
DTSM(P)-25: 400 pcs
- <Bag>  
DTSMP-21: 500 pcs

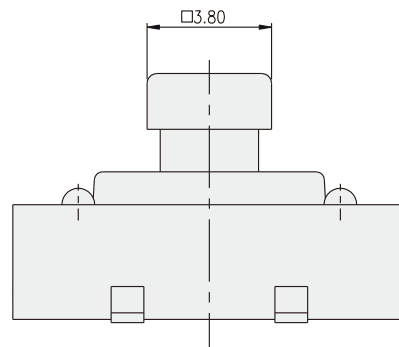
**DTSM-2**



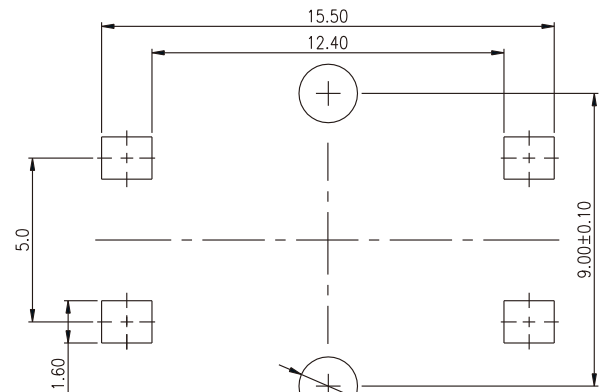
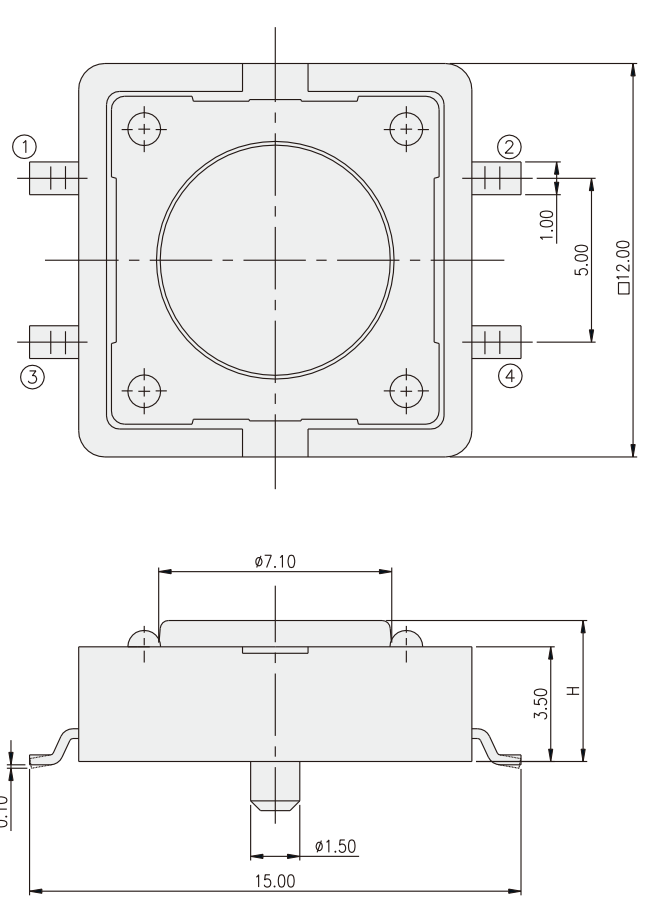
**DTSM-24**



P.C.B. LAYOUT

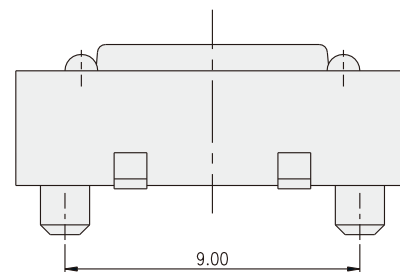


**DTSMP-2**



P.C.B. LAYOUT

PART NO.	H
DTSM-21	4.30
DTSM-23	7.40
DTSM-25	8.50



TACT SWITCH

# Mouser Electronics

Authorized Distributor

Click to View Pricing, Inventory, Delivery & Lifecycle Information:

## Diptronics:

[DTSM-21R-V-T/R](#) [DTSM-23N-V-B](#) [DTSM-24R-V-T/R](#) [DTSM-24Y-V-T/R](#) [DTSM-24Y-S-V-T/R](#) [DTSM-24S-V-T/R](#)  
[DTSM-21N-S-V-T/R](#) [DTSM-24S-S-V-T/R](#) [DTSM-23N-S-V-T/R](#) [DTSM-21S-V-T/R](#) [DTSM-21N-V-T/R](#) [DTSM-25S-S-V-](#)  
[T/R](#) [DTSM-24Y-V-B](#) [DTSM-21R-S-V-T/R](#) [DTSM-24N-S-V-T/R](#) [DTSM-25N-V-T/R](#) [DTSM-25N-S-V-T/R](#) [DTSM-21Y-V-](#)  
[B](#) [DTSM-23N-V-T/R](#) [DTSM-25Y-V-T/R](#) [DTSM-25S-V-T/R](#) [DTSM-25R-S-V-T/R](#) [DTSM-24R-S-V-T/R](#) [DTSM-21S-S-V-](#)  
[T/R](#) [DTSM-25Y-V-B](#) [DTSM-24N-V-T/R](#) [DTSM-23R-S-V-T/R](#) [DTSM-25R-V-T/R](#) [DTSM-21Y-V-T/R](#) [DTSM-25S-V-B](#)  
[DTSM-25N-V-B](#) [DTSM-21N-V-B](#) [DTSM-24R-V-B](#) [DTSM-21R-V-B](#) [DTSM-21S-V-B](#) [DTSM-24N-V-B](#) [DTSM-25R-V-B](#)  
[DTSM-24S-V-B](#)